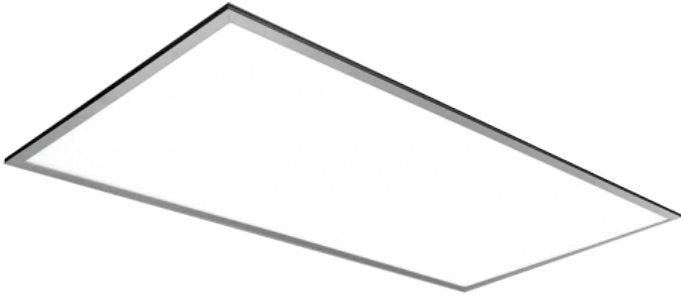


GLEDP-2X4-50W

SPECIFICATIONS

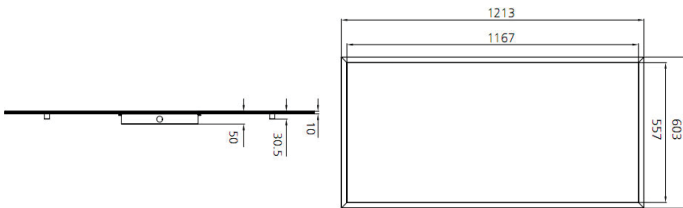


Features:

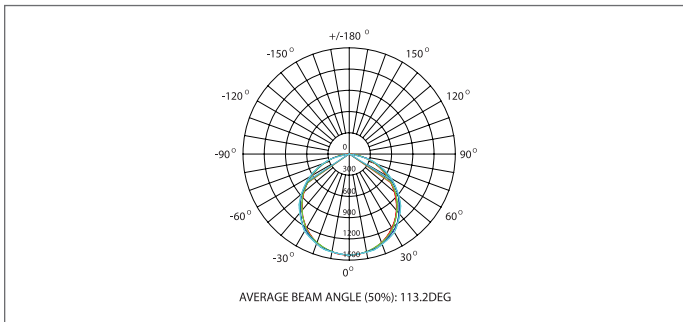
- Up to 80% Energy Savings
- No UV/IR Light
- 0-10 Volt Dimming
- No Mercury
- White or Gray Frame Options
- 5-year warranty

Dimensions:

Length: 47.74in (1213mm) **Height:** 23.74in (603mm) **Width:** 0.39in (10mm)



Photometrics:



Optical Details:

Lumen Efficacy	Up to 95 Lm/W (CCT = 5000K)
Lumen Output	4,446 Lm (CCT = 5000K)
CCT	2700K, 3000K, 4000K, 5000K
CRI	≥ 80 Ra
Beam Angle	120°

Electrical Details:

System Power Usage	50 Watts
Input Voltage	AC 100-277 Volts
Power Frequency	50/60 Hz
Efficiency	≥ 85%
Power Factor	≥ 0.9
Total Harmonic Distortion	< 20%

Other Details:

Ingress Protection	IP40 - Indoor use only
Fixture Material	Aluminum Alloy
Lifespan	≥ 50,000 Hours
Storage Temperature	-4°-149°F (-20-65°C)
Operating Temperature	-4°-113°F (-20-45°C)
Product Dimensions	47.74 x 23.74 x 0.39in (1213 x 603 x 10mm)

PART NUMBER KEY:

GLEDP - 2X4 - 50W - CCT
2700K
3000K
4000K
5000K

Example: GLEDP-2X4-50W-2700K